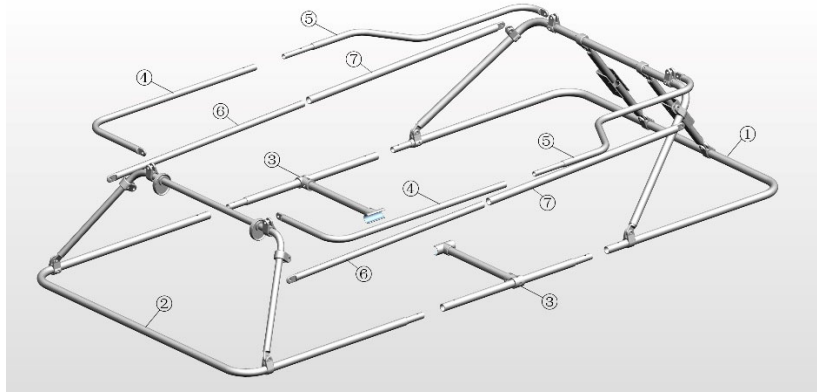


# Scheel's Ultimate Blind Instructions



## Frame Parts List

1. Headrest assembly and bottom frame
2. Bottom frame and gun rest
3. Center bottom frame supports
4. Foot end door frame half
5. Head end door frame half
6. Upper frame slide bar foot end
7. Upper frame slide bar head end

## Assembly instructions

Layout all your pieces and make sure all parts are accounted for. There will also be a bag of screws for assembly and a small screw driver.



1. Attach #2 bottom frame/gun rest to #3 Center bottom frame supports, put this assembly into the foot bag area of the cover with the support bars pointed to the inside.
2. Get the headrest assembly #1 and insert it into the other end of the blind. Now slide the 2 pieces of the frame together



3. Take the slide bars #6 and #7, slide #6 inside #7 and attach them to the headrest and the gun rest with the screws provided The larger diameter bar #7 will attach to the headrest



4. Assemble the door frames by sliding together



5. Insert door frames into the slots in the door pouches as shown. Then use the supplied screws to attach the door frames to the headrest and the gun rest.



6. On the foot bag end of the bottom of the blind there is a khaki piece of fabric sewn into the floor of the blind. This needs to be rolled over the top of the foot bag end of the frame. On the back rest there are 2 straps, attach these to the clips in the floor of the blind. This will allow you to adjust the tension on the back rest.
7. Reach up under the back and head rest, there are 2 vertical mechanisms with bungies attached, press on the outside of those mechanisms to latch the headrest into the upright position. Be careful not to pinch your fingers



8. Attach the center bottom frame supports to the frame slide bar. The blind is now assembled. You can now pull the straps on the back rest to tighten the back rest. Snug is good enough do not overtighten. After you get in and out of the blind a few times these may need to be adjusted.

### **Collapsing the blind.**

1. Unhook the frame support bars from the upper slide bars, you will need to hold the bottom frame with your foot. Lay the support bars towards the inside of the blind.
2. Loosen the back rest straps.
3. On the head rest end of the blind place your foot over the bottom frame edge. There is a rip cord right below the head rest on the outside of the blind. Pull the rip cord straight upwards and blind head rest area should collapse. It takes

a little bit of force but use common sense as to how much. If it is very hard to pull reach inside and pull the head rest mechanism apart from inside out